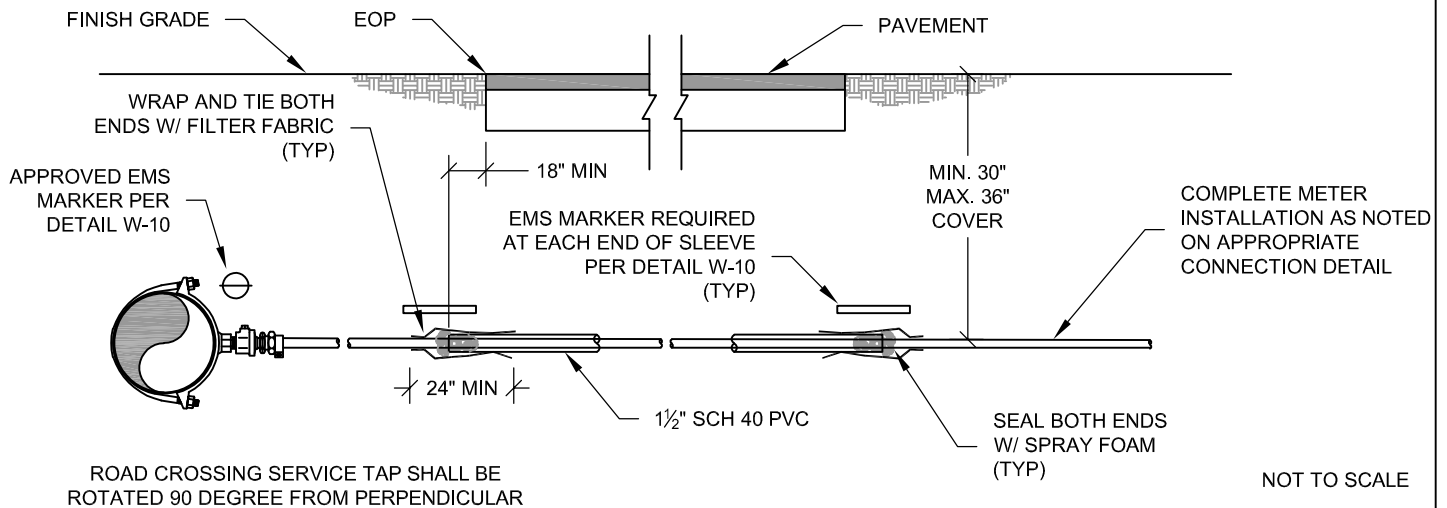


ROAD CROSSING FOR 3/4" AND 1" SERVICES

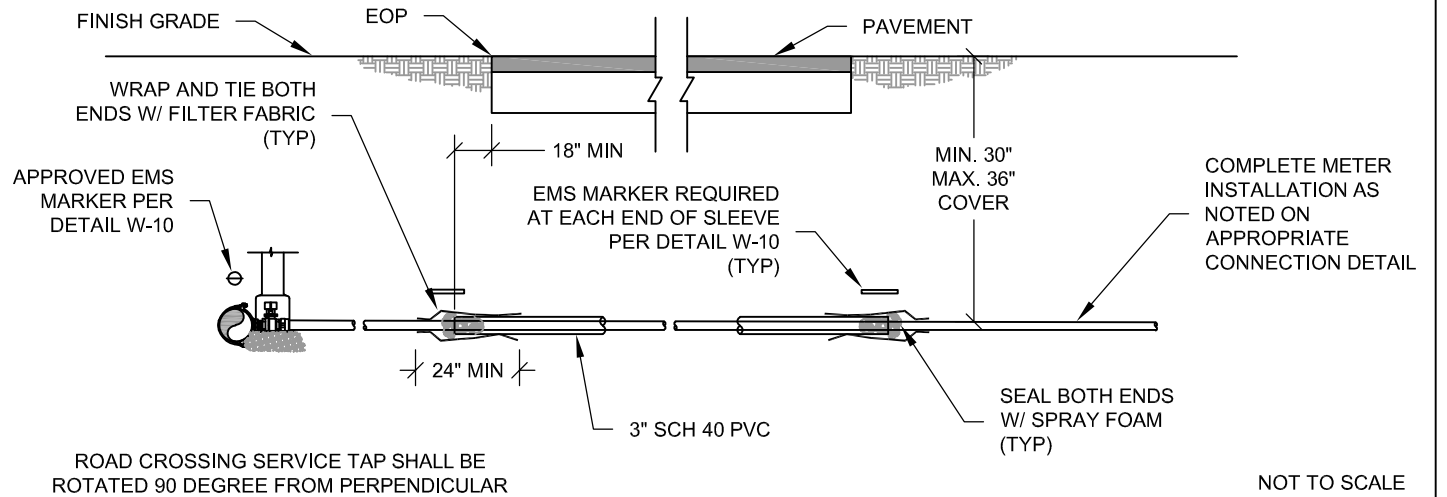


ROAD CROSSING SERVICE TAP SHALL BE ROTATED 90 DEGREE FROM PERPENDICULAR

NOTES:

1. SERVICE LINES SHALL BE 1" PE3408 HDPE POLY TUBING, ASTM D-2737 FOR 200 PSI WITH PERMANENT SPECIFICATION MARKINGS. TUBING FITTINGS SHALL REQUIRE STAINLESS STEEL INSERTS.
2. ANY SERVICE LENGTH FROM THE MAIN TO THE METER IN EXCESS OF 50' SHALL BE 2" PE3408 HDPE POLY TUBING WITH A VALVE BOX AND CONCRETE COLLAR AS SHOWN AND INSTALLED IN ACCORDANCE WITH DETAIL W-24.
3. ALL MATERIAL SHALL BE APPROVED BY THE TOWN OF JUPITER WATER UTILITIES PRIOR TO INSTALLATION.
4. CONTRACTOR SHALL MAINTAIN A MINIMUM OF 36" UNOBSTRUCTED AREA AROUND THE OUTSIDE EDGE OF THE METER BOX.
5. TAPPING SADDLES:
 FOR D.I.P. USE 1" DOUBLE STRAP TAP SADDLE 202B STYLE WITH CC4 OUTLET THREADS.
 FOR C-900 PVC USE FORD 1" S-90 SERIES TAP SADDLE WITH AWWA THREADS.

ROAD CROSSING FOR 1 1/2" AND 2" SERVICES



ROAD CROSSING SERVICE TAP SHALL BE ROTATED 90 DEGREE FROM PERPENDICULAR

NOTES:

1. SERVICE LINES SHALL BE 2" PE3408 HDPE POLY TUBING, ASTM D-2737 FOR 200 PSI WITH PERMANENT SPECIFICATION MARKINGS. TUBING FITTINGS SHALL REQUIRE STAINLESS STEEL INSERTS.
2. ALL MATERIAL SHALL BE APPROVED BY THE TOWN OF JUPITER WATER UTILITIES PRIOR TO INSTALLATION.
3. CONTRACTOR SHALL MAINTAIN A MINIMUM OF 36" UNOBSTRUCTED AREA AROUND THE OUTSIDE EDGE OF THE METER BOX.
4. TAPPING SADDLES:
 FOR D.I.P. USE 2" DOUBLE STRAP TAP SADDLE 202B STYLE WITH IP7 OUTLET THREADS.
 FOR C-900 PVC USE FORD 2" S-91 SERIES TAP SADDLE WITH 2" IPS THREADS.

WATER SERVICE ROAD CROSSING