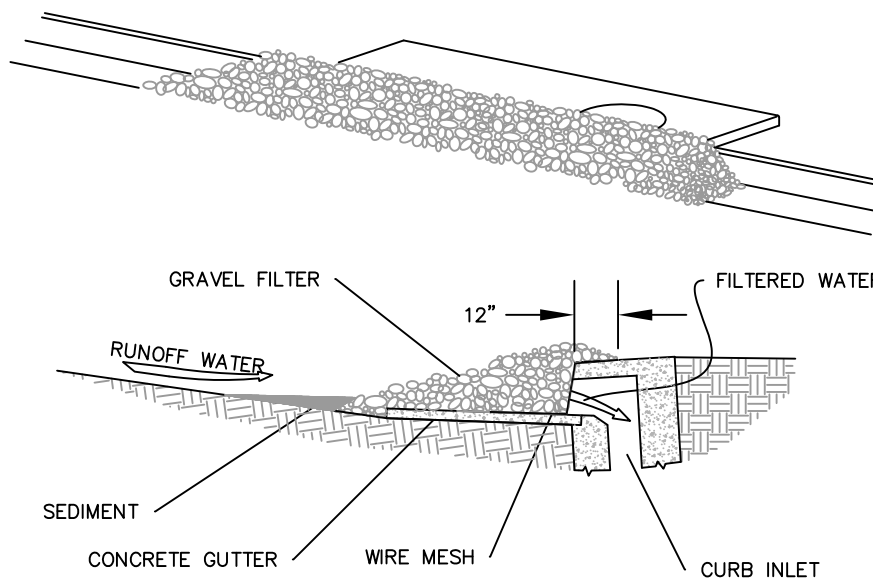


**SPECIFIC APPLICATION**

THIS METHOD OF INLET PROTECTION IS APPLICABLE AT CURB INLETS WHERE AN OVERFLOW CAPABILITY IS NECESSARY TO PREVENT EXCESSIVE PONDING IN FRONT OF THE STRUCTURE.

**BLOCK AND GRAVEL CURB INLET SEDIMENT FILTER**



**SPECIFIC APPLICATION**

THIS METHOD OF INLET PROTECTION IS APPLICABLE AT CURB INLETS WHERE PONDING IN FRONT OF THE STRUCTURE IS NOT LIKELY TO CAUSE INCONVENIENCE OR DAMAGE TO ADJACENT STRUCTURES AND UNPROTECTED AREAS.

**GRAVEL CURB INLET SEDIMENT FILTER**

**CURB INLET SEDIMENT FILTER DETAIL**